

# PermaBase Cement Boards

**Perma**  
**BASE**<sup>®</sup>  
BRAND  
Cement Board

Perma**BASE**  
BRAND  
**PLUS**<sup>®</sup>  
Cement Board

Perma**BASE**  
BRAND  
**ULTRA**  
**BACKER**<sup>®</sup>  
Cement Board

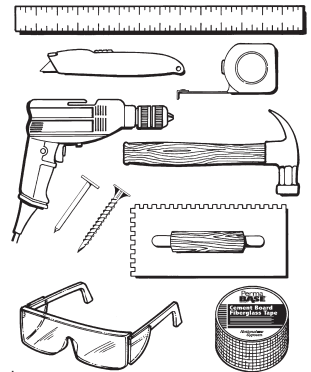
## Description

PermaBase Cement Boards are the preferred underlayment for ceramic tile applications on shower and tub enclosures, countertops, backsplashes and flooring.



## Tools You Will Need

- Straight edge
- Tape measure
- Utility knife
- Hammer or drill
- 1/4" square notched trowel
- Safety glasses
- 2" alkali-resistant fiberglass mesh tape
- 1-1/4" cement board screws or 1-1/2" galvanized roofing nails

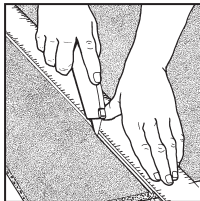


## Important Things to Know

- Score/cut and tile on printed side of board.
- It is vapor permeable and unaffected by water BUT is not a water barrier. If the area behind the cement board must be kept dry, a separate moisture barrier, or waterproof membrane should be used.
- Not recommended for use with vinyl flooring.
- Lifetime limited warranty for interior applications.
- Do not use 1/4" UltraBacker on walls.

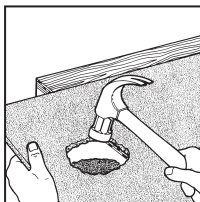
## Cutting PermaBase

- With printed side up, use straight edge to mark line
- Use utility knife to score and cut glass mesh
- Snap board and cut through glass mesh on opposite side



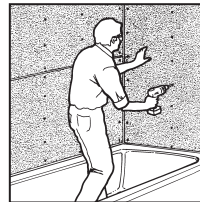
## Cutting Holes

- With printed side up, mark area for cutout
- Use utility knife to score and cut
- Punch out cut area with hammer
- Cut glass mesh on opposite side you knocked out



## Tub/Shower Walls/Ceilings

- Install with printed side facing you
- Use two 3'x5' boards horizontally for tub backwall and one 3'x5' board vertically at each endwall and ceiling.
- Space wall fasteners 8" o.c. and ceilings fasteners 6" o.c.



## Floor Underlayment

- Use 1/4" trowel to apply latex-Portland cement setting bed to subfloor
- Cover with PermaBase staggering joints so they don't line up with subfloor joints
- Allow 1/4" gap between PermaBase and room perimeter
- Fasten every 8" o.c. in both directions and around all edges



## Countertops

- Use 1/4" trowel to apply latex-Portland cement to plywood
- Cover with PermaBase staggering joints so they don't line up with plywood
- Allow 1/8" gap between panels
- Fasten every 8" o.c. in both directions and around all edges



UNIFIX Inc.  
35, rue Unifix  
Bromont, QC J2L 1N5  
Canada  
Web: unifixinc.com

Phone: (450) 534-0955  
Fax: (450) 534-0953  
Toll Free: (800) 461-0955  
Email: info@unifixinc.com

**UNIFIX INC.** <sup>®</sup>  
A SUBSIDIARY OF NATIONAL GYPSUM COMPANY